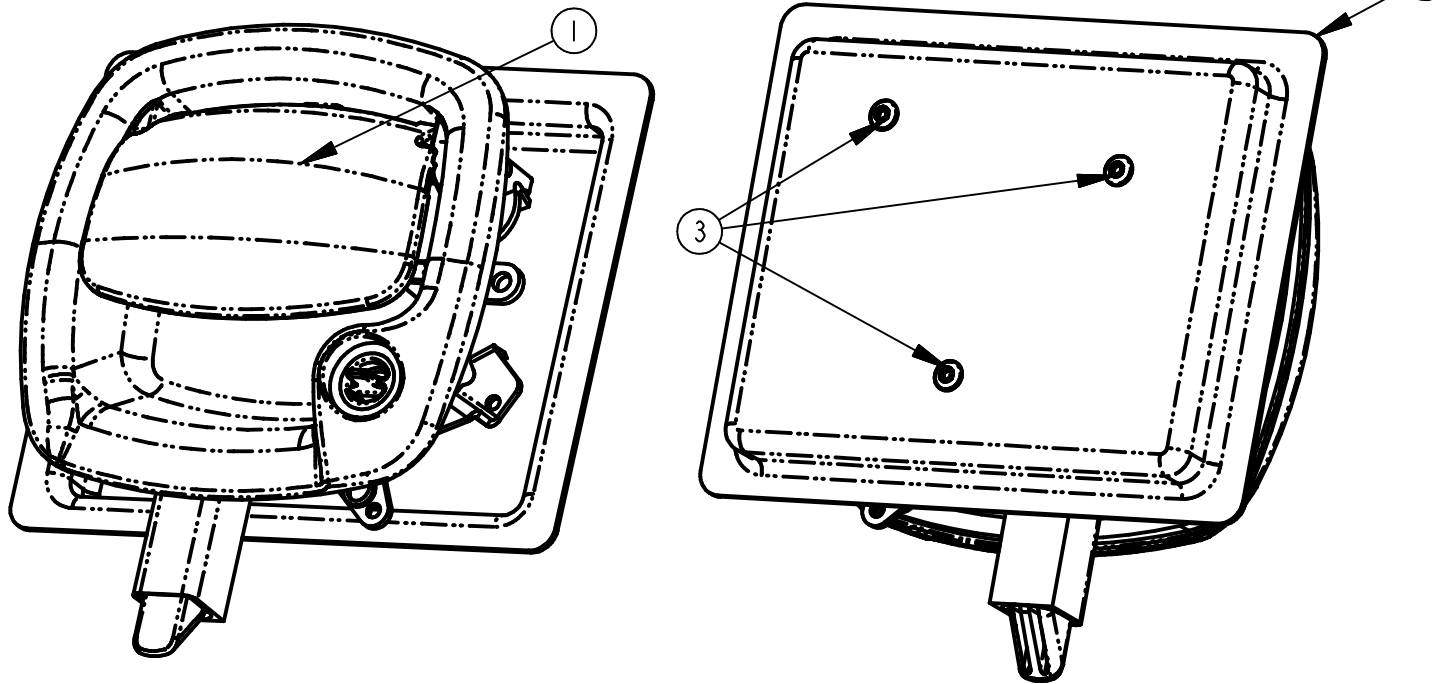
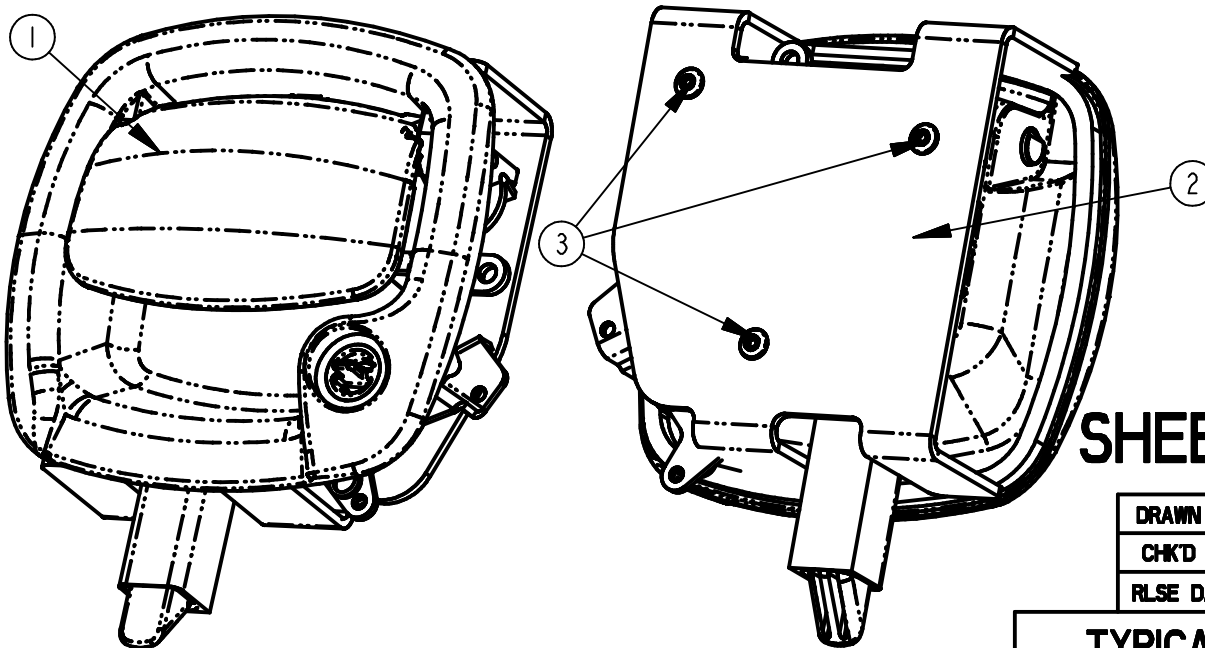


3	15555-01	ASSEMBLY MOUNT FASTENER	3
2	20756-01, -02, -03	MOUNTING BRACKET	1
1	19583-03, -04, -05, -06	BAGGAGE ASSEMBLY WITH PLASTIC PLUNGER	1
<b>RIGHT HAND 060-0475 PLASTIC PLUNGER WITHOUT POWER LOCK</b>			



3	15555-01	ASSEMBLY MOUNT FASTENER	3
2	21589-01	SKIN PINCHING MOUNTING BRACKET	1
1	19583-03, -04, -05, -06	BAGGAGE ASSEMBLY WITH PLASTIC PLUNGER	1
<b>RIGHT HAND 060-0475 PLASTIC PLUNGER WITHOUT POWER LOCK (SKIN PINCH BRACKET)</b>			



**SHEET 4 OF 7**

DRAWN BY	BJP	6/26/14
CHKD BY		
RLSE DATE		

<b>TYPICAL APPLICATION</b>	
MODEL TY060-0475	
SCALE	DESCRIPTION
0.500	060-0475, TYPICAL APPLICATIONS
SIZE	
<b>A</b>	REVISION
	PART NUMBER
	TY060-0475A